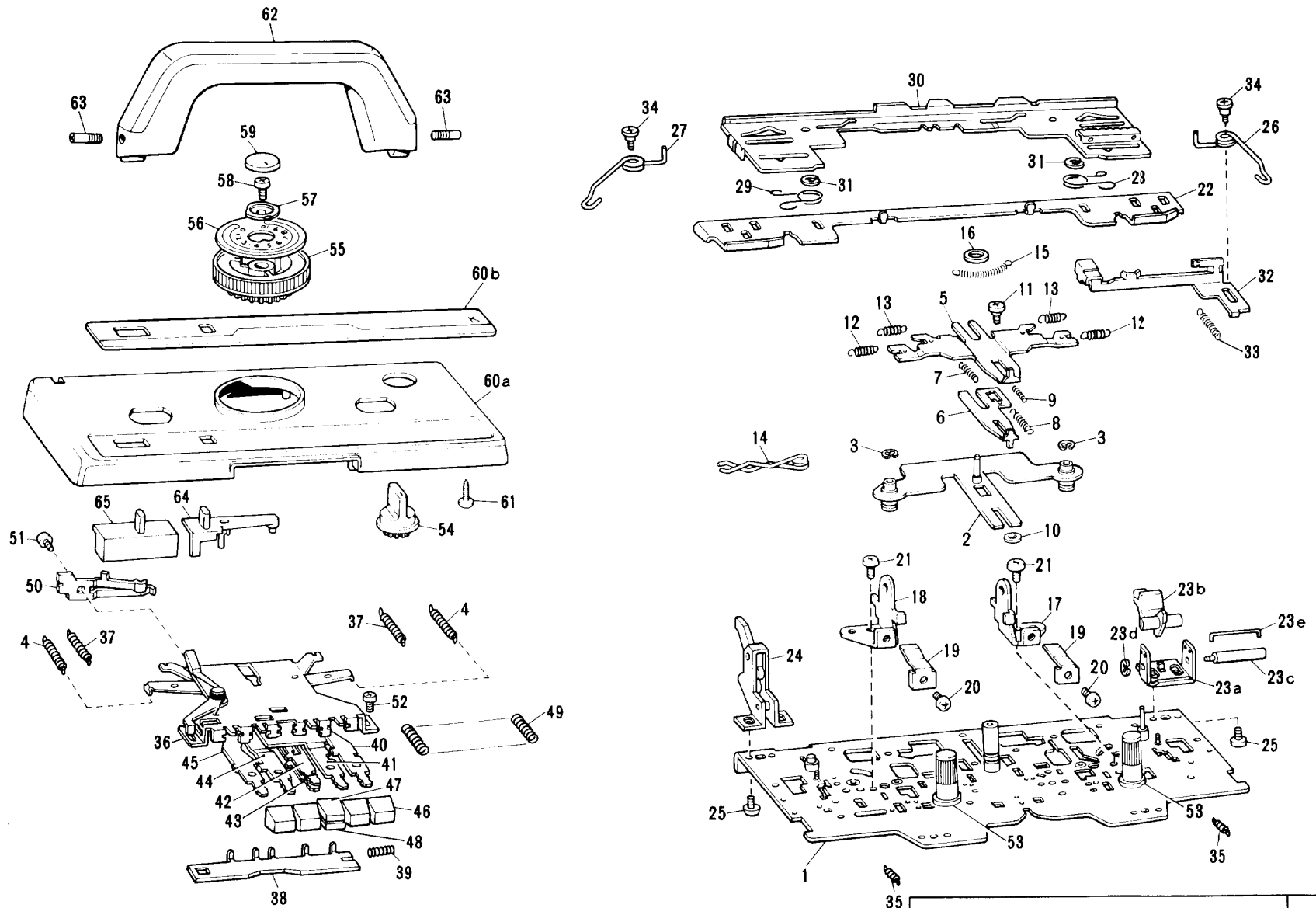


PARTS CATALOGUE FOR KH-970 KNITTING MACHINE

Note: Parts marked “” are new for KH-970
And not interchangeable with other models.*

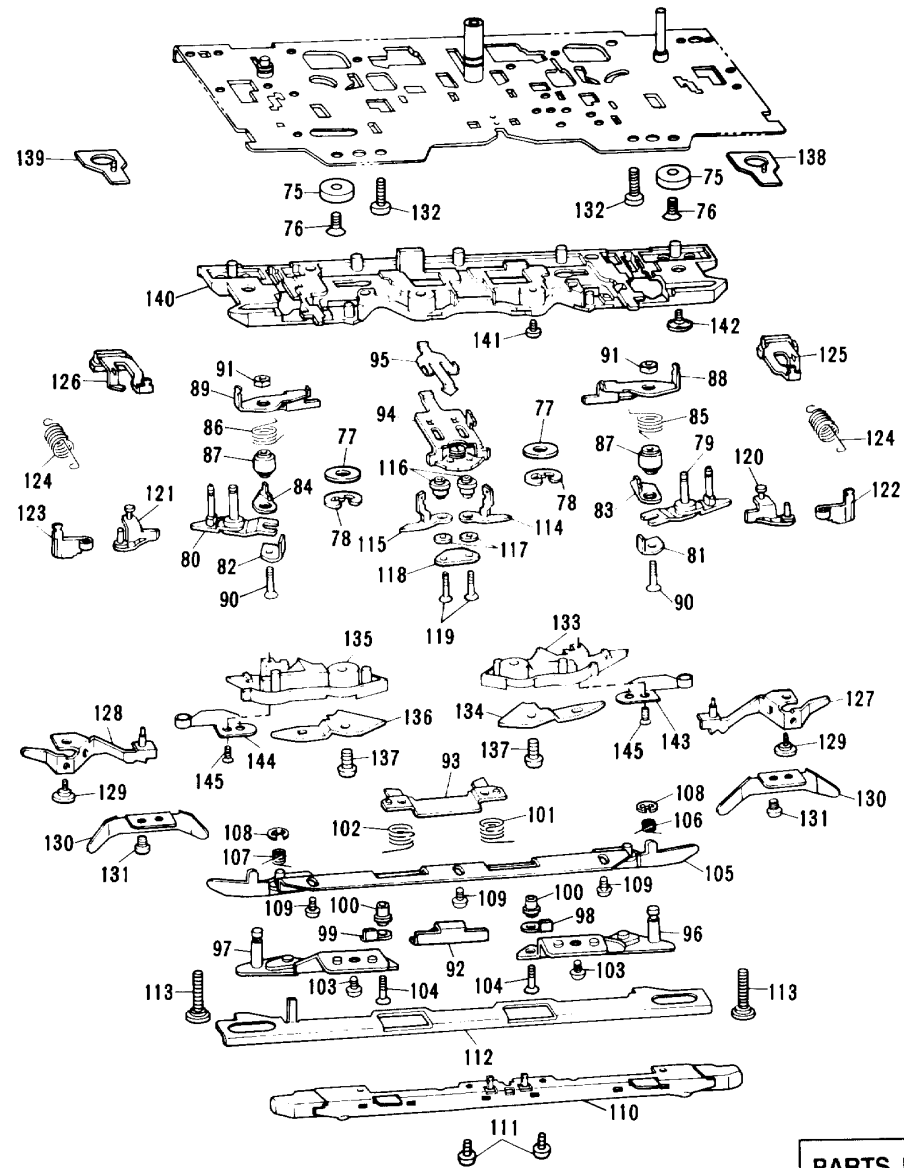


PARTS FOR CARRIAGE UPPER PART

Fig: A I

PARTS FOR CARRIAGE UPPER PART

Ref. No.	Parts No.	Description	Revised	Q'ty	Ref. No.	Parts No.	Description	Revised	Q'ty
* A-I-1 ~ 65	487867001	K Carriage complete set for KH-970		1	41	414119001	Part plate , L		1
A-II-75 ~ 202					42	413377001	MC plate		1
* A-1	418600001	Carriage plate		1	43	413378001	L plate		1
* 2	418602001	Stitch cam guide plate		1	44	414116001	Tuck plate , R		1
3	048030346	Snap ring 3		2	45	414117001	Tuck plate , L		1
4	407432001	Raising cam change spring		2	46	405302007	Push button		4
5	414053000	Change plate A		1	47	414181001	Push button B		1
6	414054000	Change plate B		1	48	413379002	Push button A		1
7	414370001	Change plate A spring		1	49	403008001	Push button release spring		4
8	414252001	Change plate B spring		1	50	409595001	Stitch dial stopper spring		1
9	413452001	Change plate spring		1	51	060660506	Screw 3.18-40 X 5		1
10	414251001	Collar		1	52	060670406	Screw 3.57-40 X 4		2
11	414025001	Change plate guide collar		1	53	409596003	Thumb nut		2
12	407319001	MC cam change spring		2	* 54	409597010	Change knob		1
13	414178001	MC cam spring A		2	* 55 ~ 56	418770001	Stitch dial assembly		1
14	407333001	H.C.L. spring		1	55	409599003	Stitch dial		1
15	414069001	Tuck cam spring		1	* 56	418771001	Stitch dial indicator plate		1
16	414180001	Presser ring		1	57	406283001	Stitch dial presser		1
17	413599001	Handle setting base , right		1	58	060660606	Screw 3.18-40 X 6		1
18	413600001	Handle setting base , left		1	* 59	409601007	Stitch dial cap		1
19	409522001	Handle lock spring		2	* 60a ~ b	418612001	K carriage cover assy for KH970		1
20	060670406	Screw 3.57-40 X 4		2	* 60a	418613001	K carriage cover		1
21	060680506	Screw 4.37-40 X 5		2	* 60b	418614001	Carriage cover plate for KH970		1
22	409554001	Rear plate		1	61	037351615	Screw 3.5 X 16		2
* 23a ~ e	418609001	Row counter tripper		1	62	409605007	K carriage handle		1
24	410132101	Knit leader tripper		1	63	409608001	Screw		2
25	060660406	Screw 3.18-40 X4		4	64	413437001	Plain lever knob		1
26	414189001	Needle selection change spring , R		1	65	409610005	H.C.L Knob		1
27	414190001	Needle selection change spring , L		1					
28	409543001	Connecting plate spring , R		1					
29	409544001	Connecting plate spring , L		1					
30	410138001	Upper slide plate		1					
31	048040346	Snap ring 4		2					
* 32	418800001	Plate for K carriage position		1					
33	412131001	Shift spring for K carriage sensor		1					
34	410146001	Shaft for K carriage sensor magnet		2					
35	410135001	End needle selection cam spring		2					
36 ~ 51	414113001	Cam button unit		1					
36	414114001	Cam button unit Body		1					
37	407512001	Raising cam spring		2					
38	413545001	Stopper plate		1					
39	405524001	Stopper spring		1					
40	414118001	Part plate , R		1					

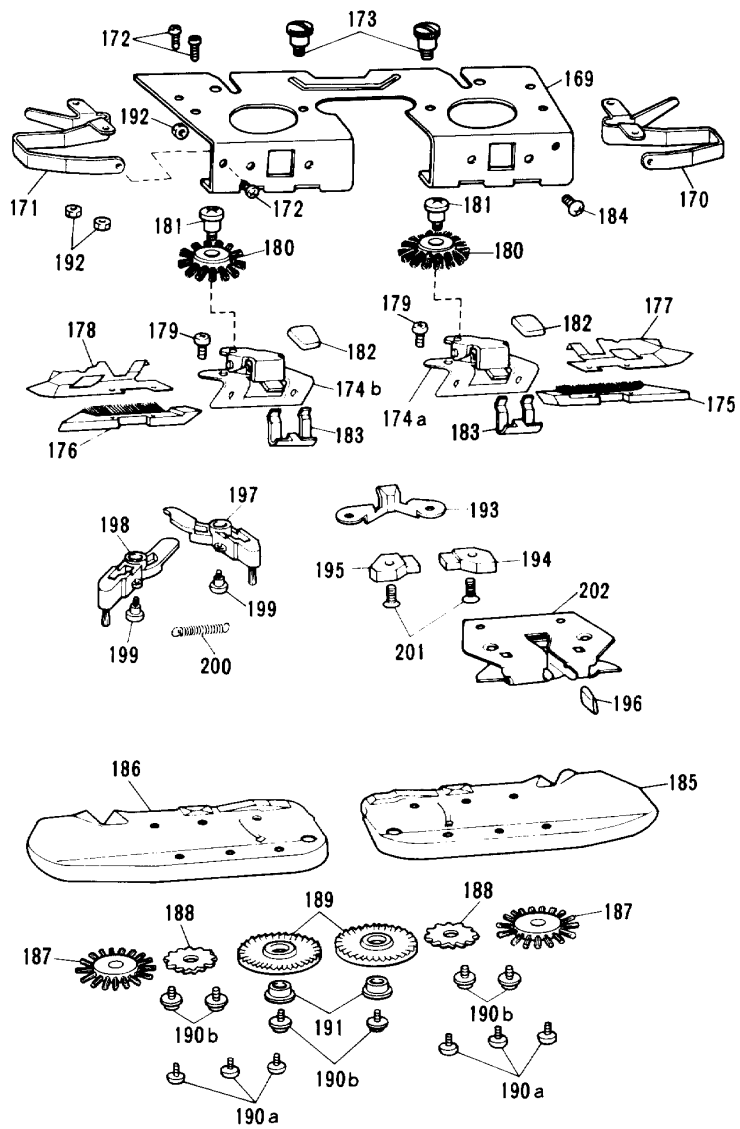


PARTS FOR CARRIAGE LOWER PART

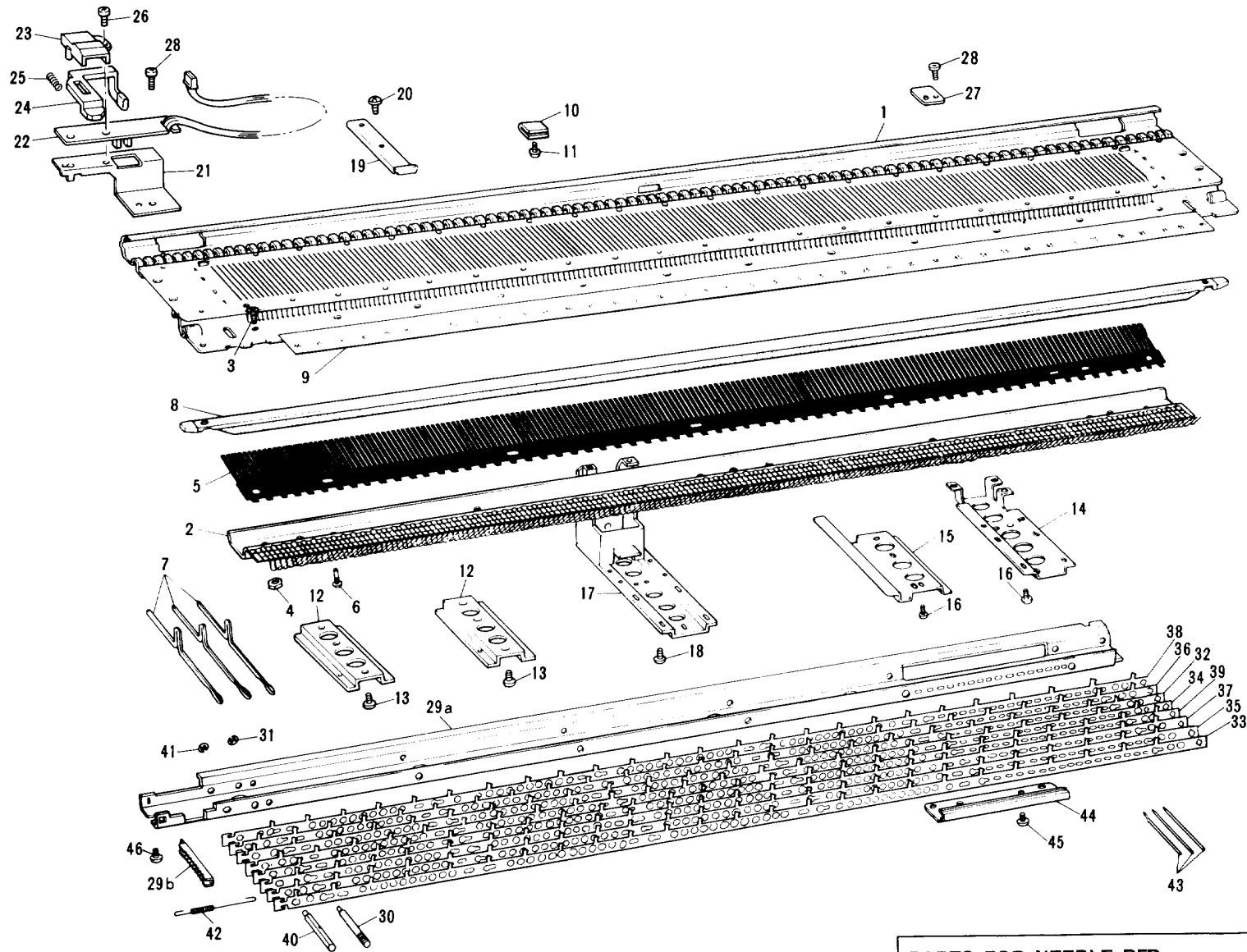
Fig: A II

PARTS FOR CARRIAGE LOWER PART

Ref. No.	Parts No.	Description	Revised	Q'ty	Ref. No.	Parts No.	Description	Revised	Q'ty
* A-II-75	418718000	Carriage magnet 16 X 8		2	117	414179001	Washer		2
76	408773006	Flat head screw 3.18-40 X 9		2	118	407340001	Tuck cam plate		1
77	405483001	Washer		2	119	407299001	Screw		2
78	048070346	Snap ring 7		2	120	414185001	Needle selection change cam , R		1
79	410094001	Stitch cam assembly , R		1	121	414187001	Needle selection change cam , L		1
80	410097001	Stitch cam assembly , L		1	122	414203001	Valve cam F , R		1
81	407296001	Sub stitch cam , R		1	123	414204001	Valve cam F , L		1
82	407297001	Sub stitch cam , L		1	124	410129001	Valve cam F spring		2
83	410488001	Valve cam D , R		1	125	409510101	Selection cam for right end needle		1
84	410489001	Valve cam D , L		1	126	409513101	Selection cam for left end needle		1
85	410490001	Valve cam D spring , R		1	127	414078001	Separation cam , R		1
86	410491001	Valve cam D spring , L		1	128	414080001	Separation cam , L		1
87	414245001	Sub stitch cam shaft		2	129	410115001	Screw 3.18		2
88	414032001	MC cam , R		1	130	409519001	Guide cam F		2
89	414033001	MC cam , L		1	* 131	083320515	Taptite , Pan S M3X5		4
90	407312001	Screw		2	132	418512001	Screw 4.37-40 X 12		2
91	021660306	Nut		2	133	411491001	Selection cam , right		1
92	414034001	Slide cam		1	134	411489001	Selection cam plate , right		1
93	414035001	Slide cam guide		1	135	411492001	Selection cam , left		1
94	414036001	Guide cam C		1	136	411490001	Selection cam plate , left		1
95	414462000	Guide cam C spring		1	137	060661006	Screw 3.18-40 X 10		2
96	418802001	Guide cam B , R		1	138	410123001	Connecting plate , R		1
97	418803001	Guide cam B , L		1	139	410125001	Connecting plate , L		1
98	414176001	Valve cam B , R		1	* 140	418608001	Rear foot		1
99	414177001	Valve cam B , L		1	141	060660406	Screw 3.18-40 X 4		4
100	414050001	Valve cam B shaft		2	142	409494001	Screw 3.57		2
101	414051001	Valve cam B spring , R		1	143	409537001	Guide cam G , R		1
102	414052001	Valve cam B spring , L		1	144	409538001	Guide cam G , L		1
103	413554001	Screw 3.18 X 3		2	145	410030001	Screw 2.38 X 14		2
104	407299001	Screw		2					
105 ~ 108	407455001	Guide cam A assembly		1					
105	407320001	Guide cam A		1					
106	407325001	Change cam spring , R		1					
107	407326001	Change cam spring , L		1					
108	048030346	Snap ring 3		2					
109	413554001	Screw 3.18 X 3		3					
110	414172001	Front foot		1					
111	413554001	Screw 3.18 X 3		2					
112	407328000	Front slide plate		1					
113	408504001	Stud screw 3.18		2					
114	414066001	Tuck cam , R		1					
115	414067001	Tuck cam , L		1					
116	414068001	Tuck cam , shaft		2					



PARTS FOR CARRIAGE SINKER PLATE Fig: A II

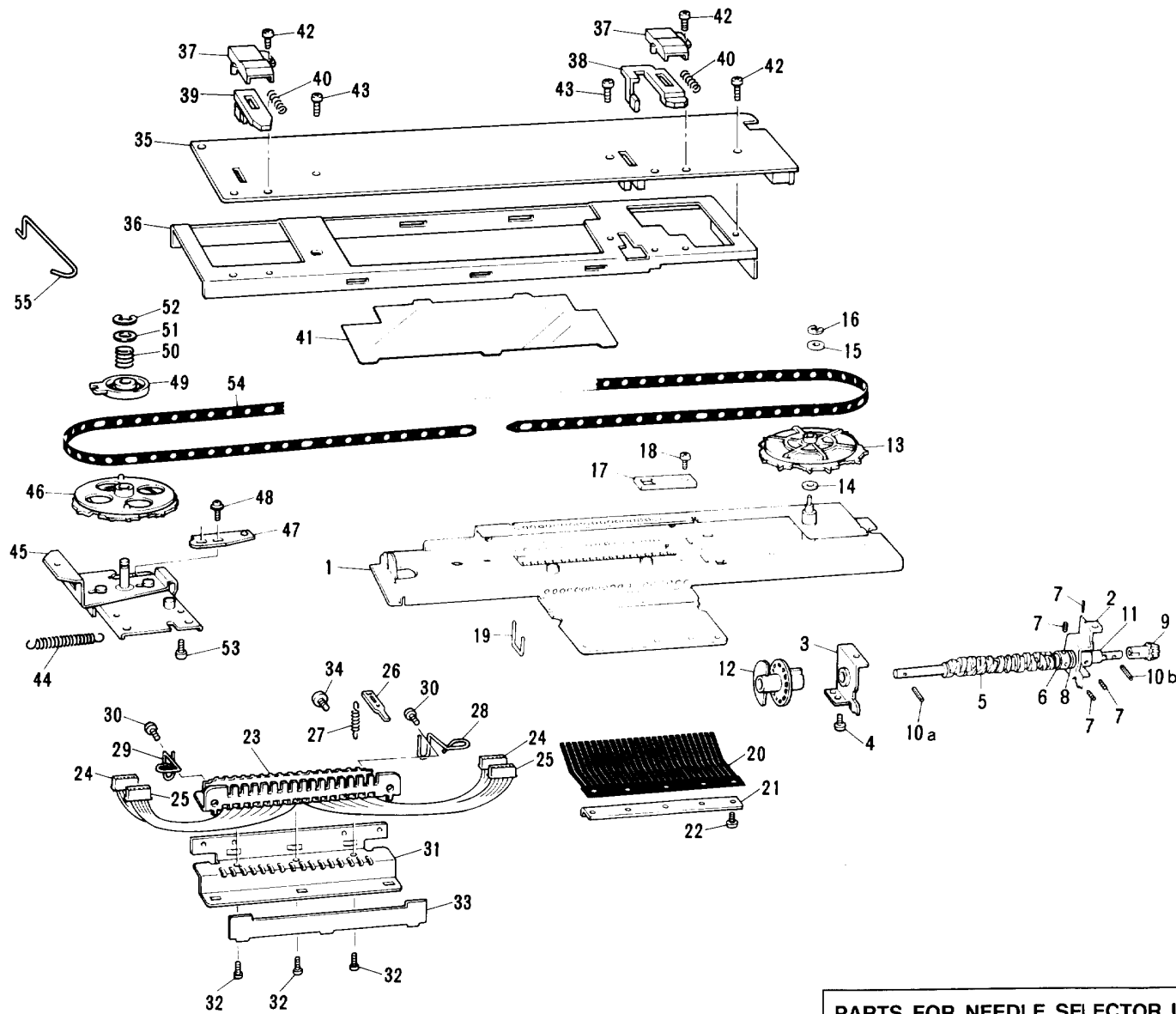


PARTS FOR NEEDLE BED

Fig: B

PARTS FOR NEEDLE BED

Ref. No.	Parts No.	Description	Revised	Q'ty	Ref. No.	Parts No.	Description	Revised	Q'ty
B-1	412803201	Needle bed assembly		1	41	048025346	Snap ring 2.5		1
2	410154101	Needle bed comb assembly		1	42	410476001	Needle selector plate spring		8
3	412109004	Screw 2.38-56 X 7		12	43	408098001	N.S.P. operation lever		16
4	405077001	Nut 2.38		12	44	410199001	Operation lever presser		1
5	407112001	Needle retaining spring		1	45	409197001	Screw with washer		2
6	407687001	Screw 3.18		3	46	409197001	Screw with washer		7
7	407113001	Plain needle		200					
8	409643003	Needle presser bar assembly		1					
9	410157001	Needle position indicator		1					
10	409656000	Timing belt cover		1					
11	412048006	+Screw 3.18-40 X 3		1					
12	407120000	Lower holder plate		2					
13	409197001	Screw with washer		4					
14	410159000	Stay , R		1					
15	408061000	Stay center , A		1					
16	409197001	Screw with washer		6					
* 17	418616001	Stay center , B		1					
18	409197001	Screw with washer		4					
* 19	418618050	Carrying case reinforcing plate		1					
20	412048006	Screw 3.18-40 X 3		1					
* 21 ~ 26	418619001	Position sensor P.C.B. assembly		1					
* 21	418621050	Position sensor board holder plate		1					
* 22	418620001	Position sensor P.C.B.		1					
* 23	418622051	Sensor cam holder		1					
* 24	418623051	Position sensor cam , L		1					
* 25	418624051	Sensor cam spring		1					
26	085320815	Taptite , bind S M3X8		1					
27	413952000	Pattern case holder plate		1					
28	417894001	Screw 3.18 X 3		2					
29 ~ 42	410188101	Needle selector plate holder assy		1					
29a ~ b	487374101	Needle selector plate holder		1					
30	408159001	Shaft A		6					
31	048025346	Snap ring 2.5		6					
32	410191001	Needle selector plate , 1		1					
33	410192001	Needle selector plate , 2		1					
34	410193001	Needle selector plate , 3		1					
35	410194001	Needle selector plate , 4		1					
36	410195001	Needle selector plate , 5		1					
37	410196001	Needle selector plate , 6		1					
38	410197001	Needle selector plate , 7		1					
39	410198001	Needle selector plate , 8		1					
40	408172001	Shaft B		1					

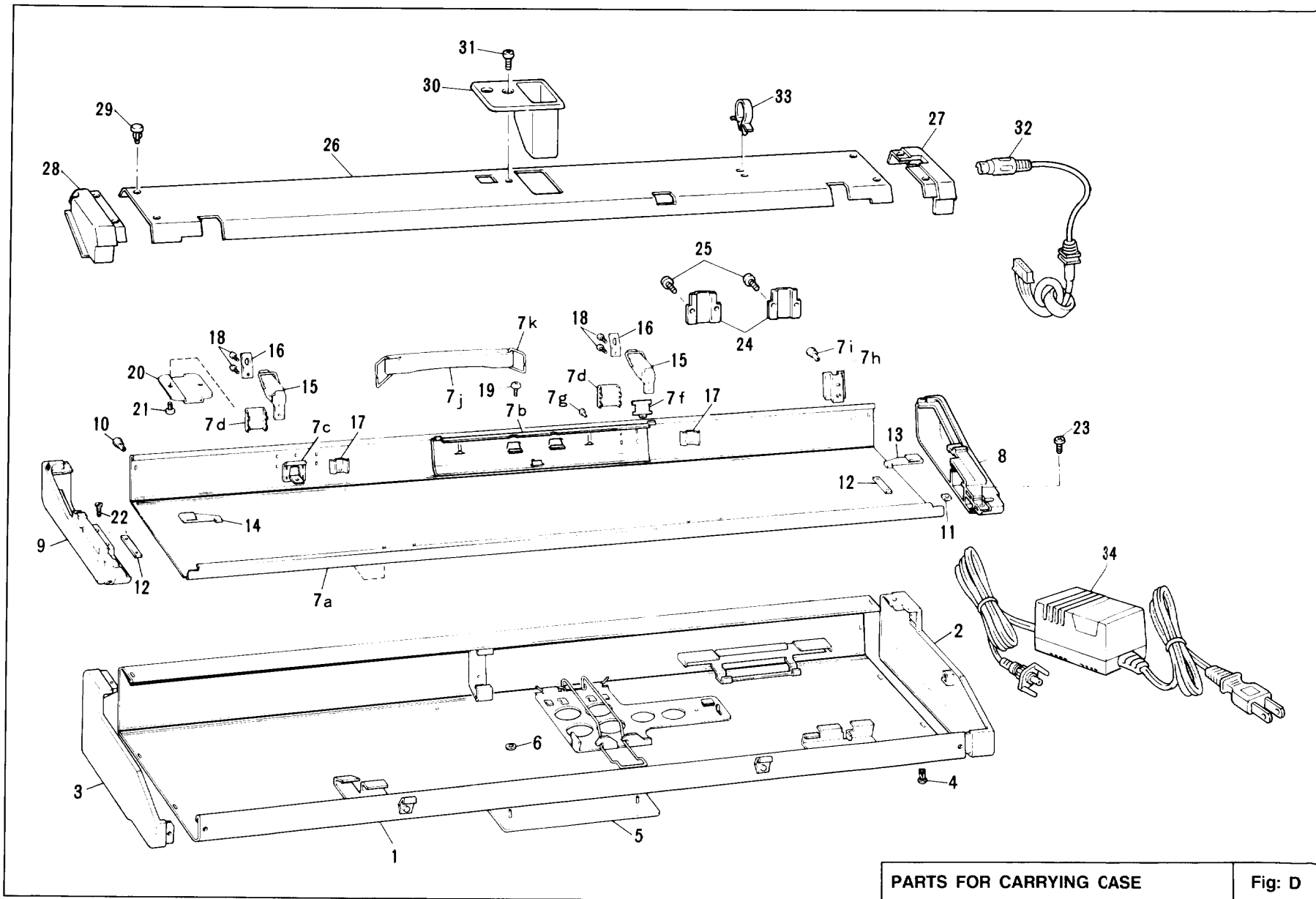


PARTS FOR NEEDLE SELECTOR UNIT

Fig: C

PARTS FOR NEEDLE SELECTER UNIT

Ref. No.	Parts No.	Description	Revised	Q'ty	Ref. No.	Parts No.	Description	Revised	Q'ty
* C-1 ~ 34	418733001	Rotary cam holder body assembly		1	* 40	418624051	Sensor cam spring		2
1	417281001	Rotary cam holder body		1	* 41	418646050	Cover for P.C.B.		1
* 2	418626001	Rotary cam holder , R		1	* 42	085320815	Taptite , bind S M3X8		3
* 3	418628001	Rotary cam holder , L		1	* 43	085320616	Taptite , bind S M3X6		2
* 4	085320616	Taptite , bind S M3X6		2	* 44 ~ 52	418647001	Pulley assembly		1
5	413907001	Rotary cam		1	44	410016001	Belt tention control spring		1
6	417808051	Rotary cam adjuster collar		1	* 45	418648001	Pulley holder plate		1
7	014400435	Stopper screw		4	46	410182002	Pulley		1
8	411013001	Washer		1	47	410071000	Pulley adjusting plate		1
9	410216000	Bevel gear Z12		1	48	406397001	Screw with washer 3.18 X 5		2
10a	047211250	Spring pin BW2		1	* 49	418650050	Friction plate		1
10b	047201042	Spring pin AW2		1	* 50	418651051	Friction plate spring		1
11	418289001	Adjuster collar for bevel gear Z12		1	* 51	025060132	Washer, plain S SM6		1
* 12	418630051	Slit disc		1	52	048050346	Snap ring 5		1
13	416602001	Belt pulley , R		1	53	409197001	+--Screw 3.18 X 4		2
14	410223001	Washer 6.3		1	54	410186001	Timing belt		1
15	400806004	Washer 3.6		1	* 55	418826000	Holding wire		1
16	048025346	Snap ring 2.5		1					
17	408068001	Card reader guide stopper		1					
18	060660406	Screw 3.18-40 X 4		1					
19	417287001	Rotary cam lever		16					
20	410226001	Rotary cam lever spring		1					
21	410227000	Cam lever spring presser plate		1					
22	060660406	Screw 3.18-40 X 4		3					
* 23 ~ 33	418631051	Needle selector solenoid assembly		1					
* 23	418632051	Solenoid yoke		1					
* 24	418637001	Connector		2					
* 25	418637002	Connector		2					
* 26	418546051	Armature		16					
* 27	418547051	Spring for armature		16					
* 28	418638051	Corde guide , R		1					
* 29	418639051	Corde guide , L		1					
* 30	085320616	Taptite , bind S M3X6		2					
* 31	418640050	Radiation heat plate for solenoid		1					
* 32	085320616	Taptite , bind S M3X6		3					
* 33	418728050	Corde guide plate		1					
34	060670506	Screw 3.57-40 X 5		2					
* 35 ~ 42	487870001	Main P.C.B. for main body assy		1					
* 35	487871001	Main P.C.B. for main body		1					
* 36	418643050	Lower holder plate		1					
* 37	418622051	Sensor cam holder		2					
* 38	418644051	Position sensor cam , R		1					
* 39	418645051	Row counter sensor cam		1					

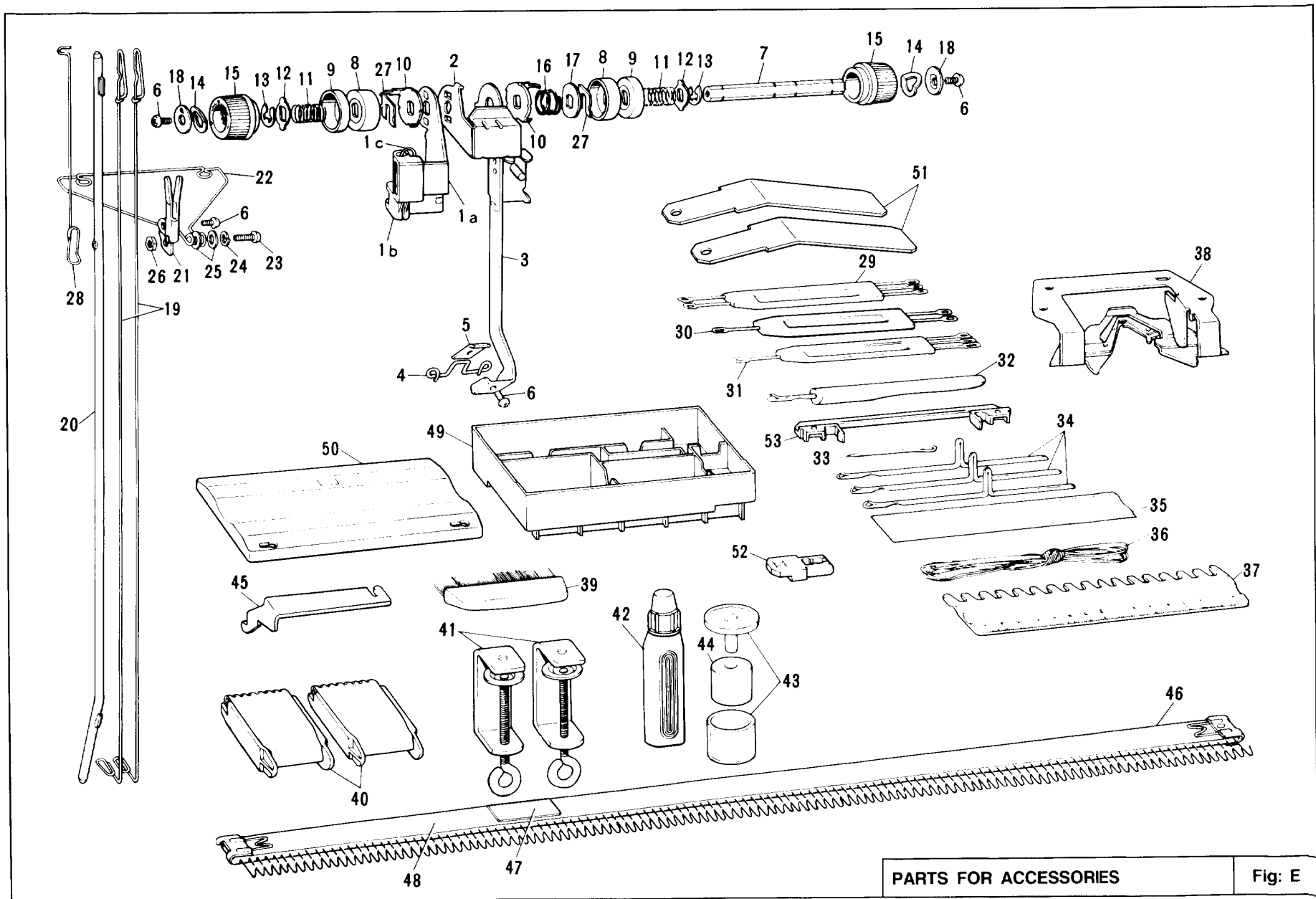


PARTS FOR CARRYING CASE

Fig: D

PARTS FOR CARRYING CASE

Ref. No.	Parts No.	Description	Revised	Q'ty	Ref. No.	Parts No.	Description	Revised	Q'ty
* D-1 ~ 18	418681001	Carrying case complete KH-970		1					
* 1 ~ 6	418682001	Carrying case upper assy KH-970		1					
* 1	417307101	Carrying case upper Body		1					
2	409692003	Upper side plate , R		1					
3	409693003	Upper side plate , L		1					
4	408194003	Plastic rivet		10					
* 5	418683001	Brother name plate 970		1					
6	408784001	Pushing nut		2					
7 ~ 18	418652001	Carrying case lower assembly		1					
7a ~ 7k	418653001	Carrying case lower body		1					
7j	402442008	Carrying case handle		1					
7k	407247002	Carrying case handle ring		2					
8	409698003	Lower side plate , R		1					
* 9	418540001	Lower side plate , L		1					
10	408194003	Plastic rivet		6					
11	409700001	Square nut 2		2					
12	407265001	Needle bed fastening plate		2					
13	409640001	Extension rail lock spring , R		1					
14	409639001	Extension rail lock spring , L		1					
15	404022002	Carrying case lock assembly		2					
16	404027001	Carrying case lock spring		2					
17	407115000	Fastening plate		2					
18	405658001	Screw 3.18		4					
19	060660706	Screw 3.18-40 X 7		3					
20	407261001	Table clamp setting plate		2					
21	060660706	Screw 3.18-40 X 7		4					
22	407119001	Screw 4.37		4					
23	060660706	Screw 3.18-40 X 7		2					
24	418655051	Setting plate for control box		2					
25	060300516	Screw 3 X 5		4					
* 26	418656001	Main body panel		1					
* 27	418657051	Main body panel side plate , R		1					
* 28	418658051	Main body panel side plate , L		1					
29	408194003	Plastic rivet		4					
* 30	418659051	Yarn tension holder		1					
* 31	085320616	Taptite , bind S M3X6		1					
* 32	418765001	MD cable for 970		1					
* 33	418759001	MD cable holder		1					
* 34	418673001	AC Adapter for KM (220-230V)		1					
* 34	418685001	AC Adapter for KM (220-230V, Ger)		1					
* 34	418686001	AC Adapter for KM (110-120V, UL)		1					
* 34	418687001	AC Adapter for KM (220-230V, UK)		1					
* 34	418812001	AC Adapter for KM (240V, Au)		1					

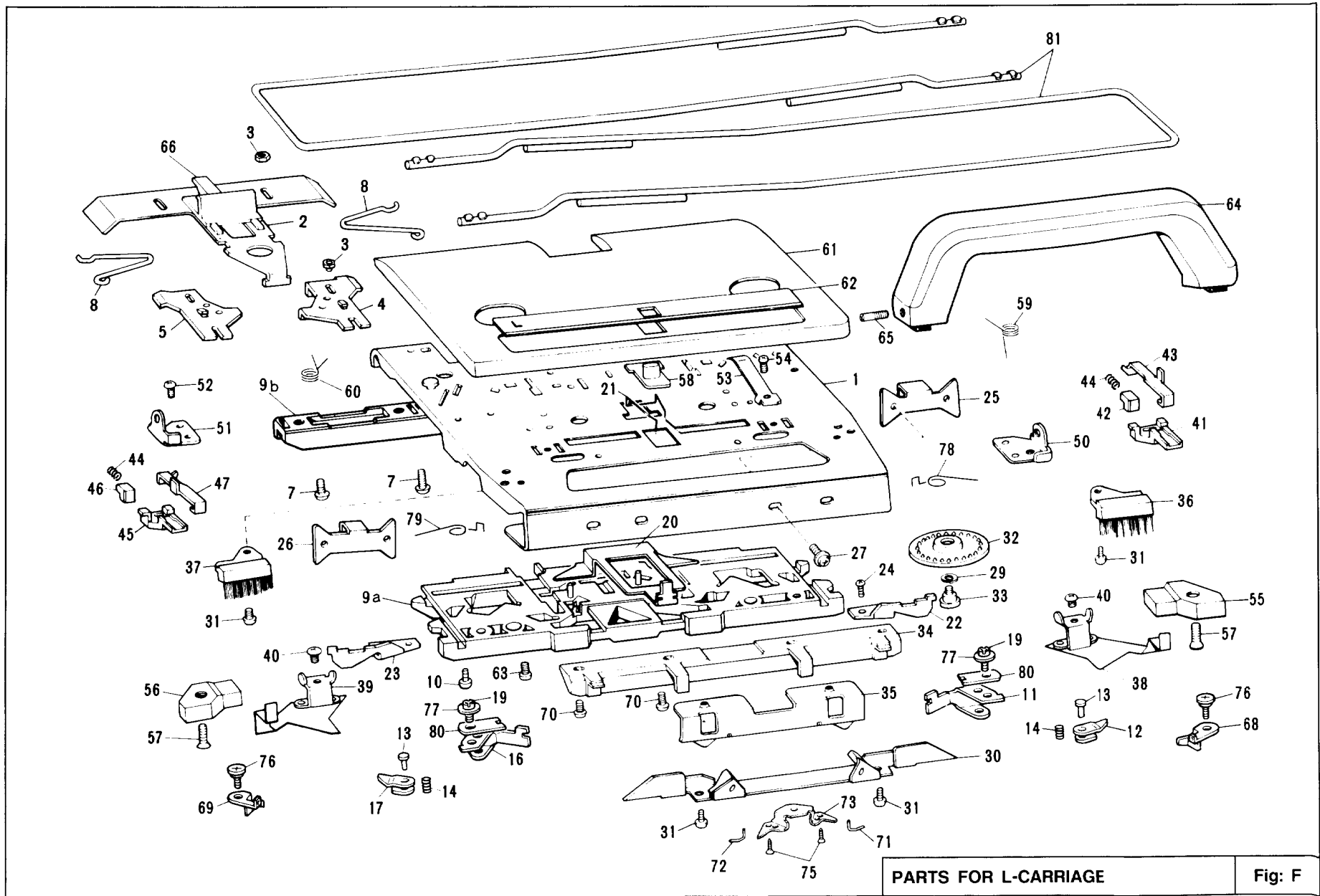


PARTS FOR ACCESSORIES

Fig: E

PARTS FOR ACCESSORIES

Ref. No.	Parts No.	Description	Revised	Q'ty	Ref. No.	Parts No.	Description	Revised	Q'ty
E-1 ~ 28	412183002	Yarn tension unit assembly		1	43 ~ 44	418775001	Yarn wax with case		1
1a ~ c	412184002	Yarn tension unit body		1	45	407481001	Carriage lock		1
2	412186001	Take up spring holder		1	46 ~ 48	412878001	Cast-on comb assembly		1
3	412187001	Front yarn guide arm		1	46	412879001	Cast-on comb long		1
4	409299001	Front yarn guide		1	47	411365000	Connecting plate		1
5	406239001	Square nut		1	48	412881001	Cast-on comb short		1
6	062660504	+Screw 3.18X5		4	49 ~ 50	411351001	Accessory box assembly		1
7	416238001	Tension disc shaft		1	49	411352001	Accessory box		1
8	406241001	Tension disc A		2	50	411353001	Lid for accessory box		1
9	406242001	Tension disc B		2	* 51	418696051	CB setting plate		2
10	406243001	Disc C		2	* 52	418726001	I carriage tripper for KH-970		1
11	403591001	Tension spring		2	* 53	418729001	G carriage cam for KH-970		1
12	403613001	Tension spring presser		2					
13	048040346	Snap ring E4		2					
14	403628001	Spring washer		2					
15	404511006	Tension control knob		2					
16	416237001	Coil spring for tension unit		1					
17	406244000	Lock spring presser		1					
18	403583001	Tension indicator		2					
19	404755001	Take-up spring		2					
20	408559001	Yarn tension rod		1					
21	408560001	Rear yarn guide holder		1					
22	406246000	Rear yarn guide		1					
23	062661004	+Screw 3.18X10		1					
24	028350246	Spring washer		1					
25	400806004	Washer		3					
26	021660306	Nut 3-3.18		1					
27	406249000	Washer		2					
28	408614001	Sub take-up spring		1					
29	402631005	2 X 3 Transfer tool		1					
30	402576005	1 X 2 Transfer tool		1					
31	402575005	1 X 3 Transfer tool		1					
32	407458004	Latch tool		1					
33	402714001	Tapestry needle		1					
34	407113001	Plain needle		3					
35	407483000	Spare needle case		1					
36	402389001	Cast-on thread		1					
37	407482004	1/1 Needle pusher		1					
38	410971001	Plating yarn feeder assembly		1					
39	403552004	Hand brush		1					
40	404883006	Claw weight		2					
41	409198001	Table clamp		2					
42	405135004	Knitting machine oil		1					



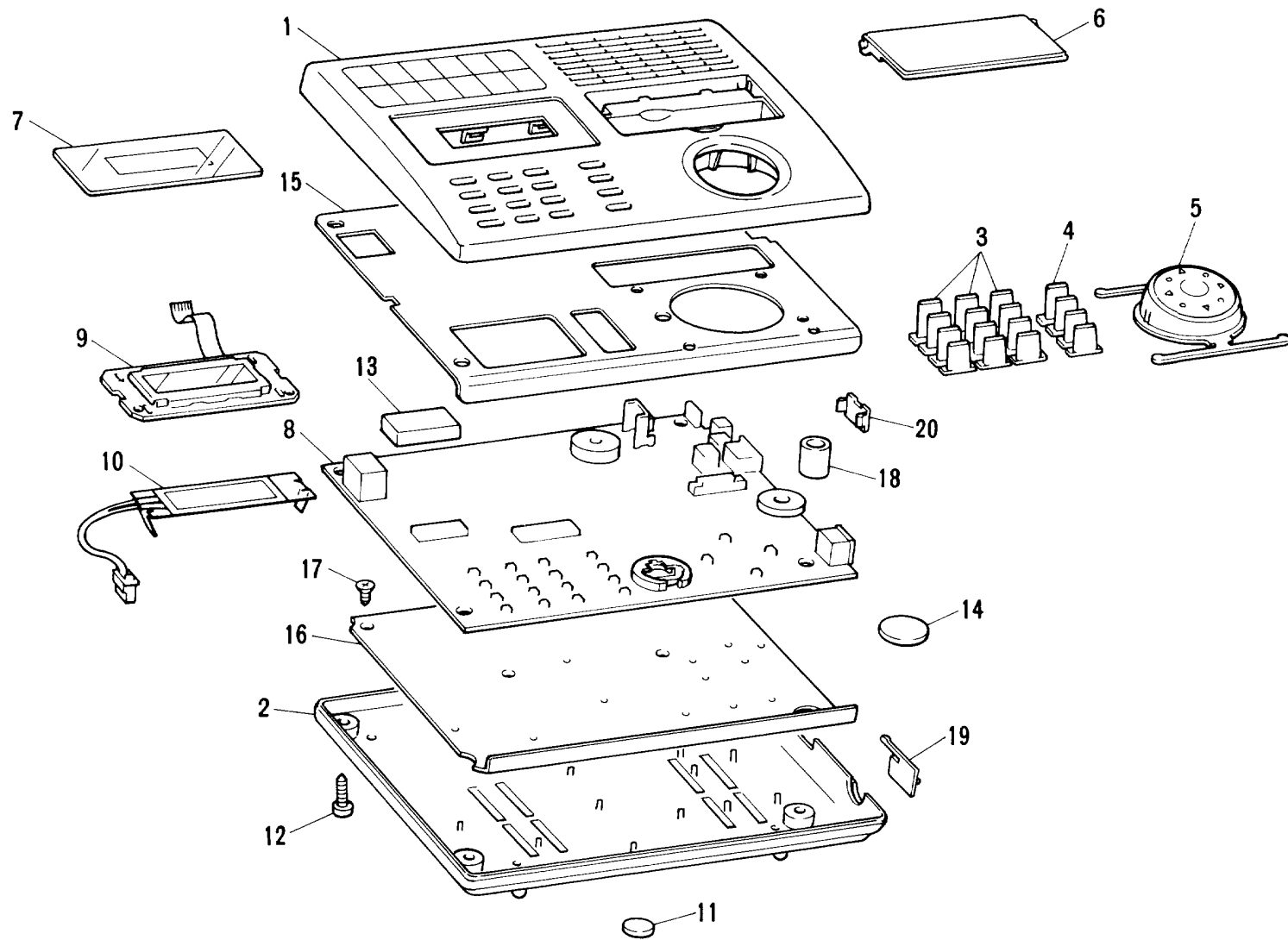
PARTS FOR L-CARRIAGE

Fig: F

PARTS FOR L CARRIAGE

Ref. No.	Parts No.	Description	Revised	Q'ty	Ref. No.	Parts No.	Description	Revised	Q'ty
* F-1 ~ 80	418712001	L carriage assembly KH-970		1	46	410962001	L end needle sel. change cam for L		1
1	410481001	L carriage plate		1	47	410961001	L end needle sel. plate for L		1
* 2	418825001	Release button plate		1	50	409740001	Handle setting base , R		1
3	408166001	Stud for release button plate		4	51	409739001	Handle setting base , L		1
4	410484001	Connecting plate R for L carriage		1	52	060670506	Screw 3.57-40 X 5		2
5	410485001	Connecting plate L for L carriage		1	53	407522001	Handle lock spring		2
7	060660706	Screw 3.18-40 X 7		4	54	060660406	Screw 3.18-40 X 4		2
8	410486001	Connecting plate spring		2	55	407454000	Magnet , R		1
9a	415702001	Main cam		1	56	407578000	Magnet , L		1
9b	415704000	Rear foot		1	57	417596001	Screw 3.18-40 X 10		2
10	060660806	Screw 3.18-40 X 8		2	58	409744005	Lace selecting knob		1
11	410578001	Separation cam R for L carriage		1	59	412148001	L valve cam C spring , R		1
12	408132001	Raising cam right for L carriage		1	60	412147001	L valve cam C spring , L		1
13	410579001	Shaft for separation cam		2	61	410800003	L carriage cover		1
14	408134001	Raising cam spring		2	* 62	418713001	L carriage cover plate KH-970		1
16	410581001	Separation cam L for L carriage		1	63	060660406	Screw 3.18-40 X 4		2
17	408137001	Raising cam left for L carriage		1	64	409748007	L carriage handle		1
19	060660706	Screw 3.18-40 X 7		2	65	409751001	Screw		2
20	408582001	Lace selecting cam		1	68	412145001	L valve cam C , R		1
21	408583001	Change lever spring		1	69	412146001	L valve cam C , L		1
22	410583001	R end needle separation cam for L		1	70	060660806	Screw 3.18-40 X 8		4
23	410584001	L end needle separation cam for L		1	71	412141001	L valve cam B , R		1
24	410592001	+Screw 3.18 X 11.6		2	72	412142001	L valve cam B , L		1
25	410494001	Needle transfer plate R		1	73	412143001	Reinforcing plate B		1
26	410495001	Needle transfer plate L		1	75	040210812	Screw 2 X 8		2
27	413734001	Screw 3.18-40 X 4		4	76	409528001	Lever shaft		2
29	028030243	Spring washer		2	77	403069001	Washer 3.3		2
30	408573001	Cam plate		1	78	410966001	R end needle sel. change spring		1
31	060660406	Screw 3.18-40 X 4		4	79	410967001	L end needle sel. change spring		1
32	411003001	Rubber wheel		2	80	412898000	Separation cam plate		2
33	405029001	Stud screw		2	81	412205002	Extension rail		2
34	407490000	Front foot		1	* 66	418662051	Release button		1
35	418451000	Front foot holder		1					
36	408580004	Small brush , R		1					
37	408581004	Small brush , L		1					
38	408561001	Spring plate , R		1					
39	408562001	Spring plate , L		1					
40	060660406	Screw 3.18-40 X 4		2					
41	410957002	R end needle sel. cam for L		1					
42	410959001	R end needle sel. change cam for L		1					
43	410958001	R end needle sel. plate for L		1					
44	410963001	R end needle sel. cam spring for L		2					
45	410960002	L end needle sel. cam for L		1					

* When exchange the Main cam
(Ref.No.F-9a) into new one ,
please refer to how to
adjust the Mounting dimension of the
Main cam on P.19 .



PARTS FOR CONTROL BOX

Fig: G

